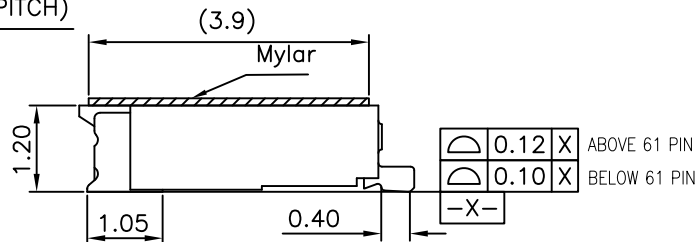
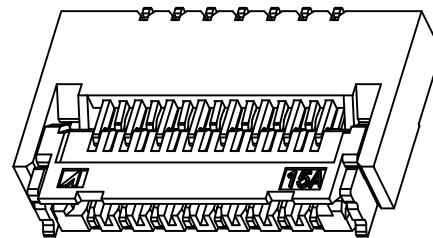
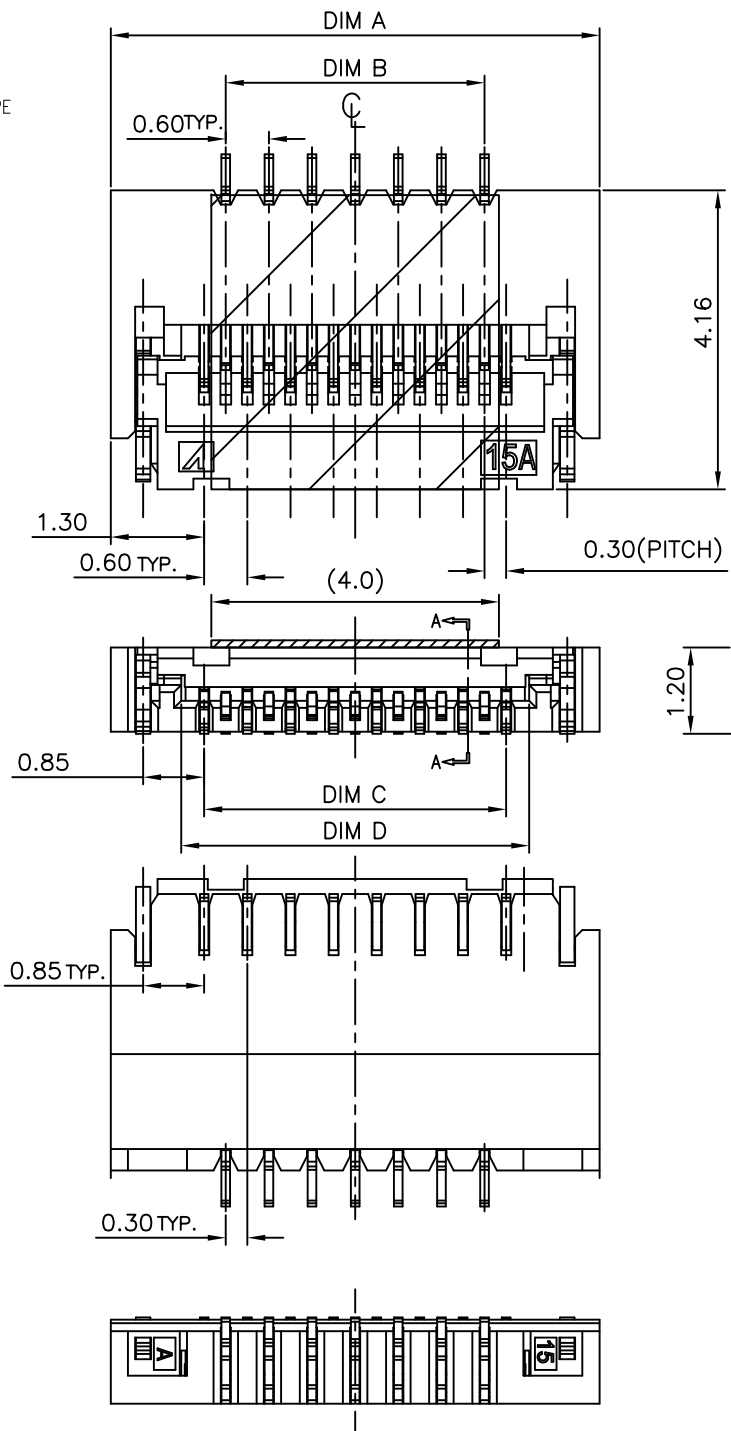




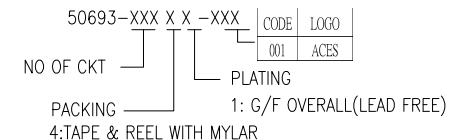
ODD NUMBERS TYPE



NOTES:

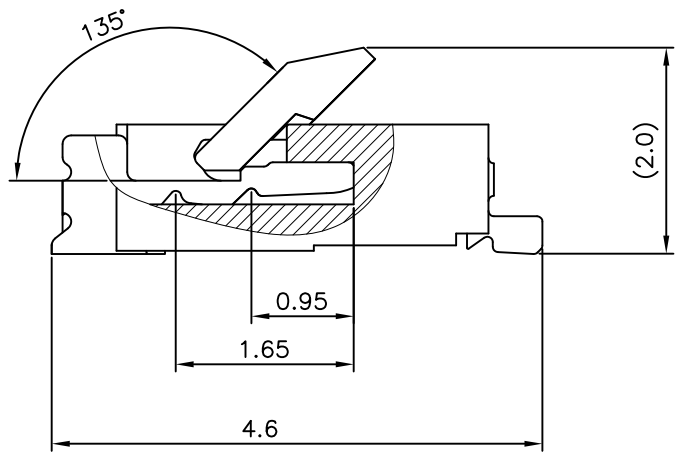
1. MATERIAL:
 - 1.1 HOUSING: THERMOPLASTIC, HIGH TEMP., UL94V-0; COLOR:NATURAL.
 - 1.2 ACTUATOR: THERMOPLASTIC, HIGH TEMP., UL94V-0; COLOR:BLACK.
 - 1.3 CONTACT: COPPER ALLOY
 - 1.4 FITTING NAIL:COPPER ALLOY
2. FINISH:
 - 2.1 CONTACT: UNDERPLATING: 50u" MIN. NICKEL OVERALL. FINISH:SEE ORDER INFORMATION.
 - 2.2 FITTING NAIL: UNDERPLATING: 50u" MIN. NICKEL OVERALL. FINISH:SEE ORDER INFORMATION.
3. REFLOW SOLDER CAPABLE TO 260°C PER ACES SPEC.
4. SPEC. PLS. REFER TO PS-50515-xxxxx PACKING SPEC. PLS. REFER TO 88541-XXXX-TRP

5. PART NUMBER

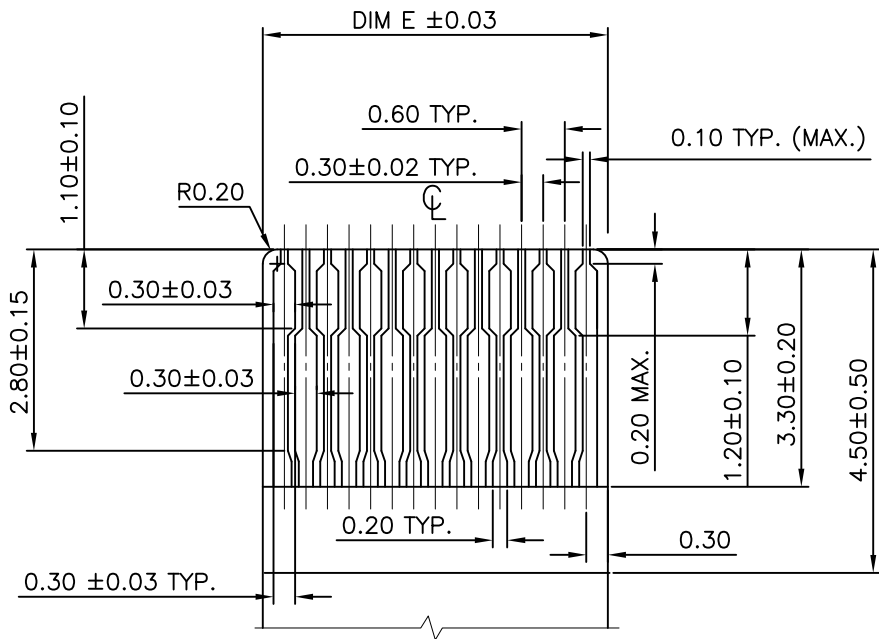


CKT	Dim A	Dim B	Dim C	Dim D	Dim E
39	14.00	10.80	11.40	12.04	12.00

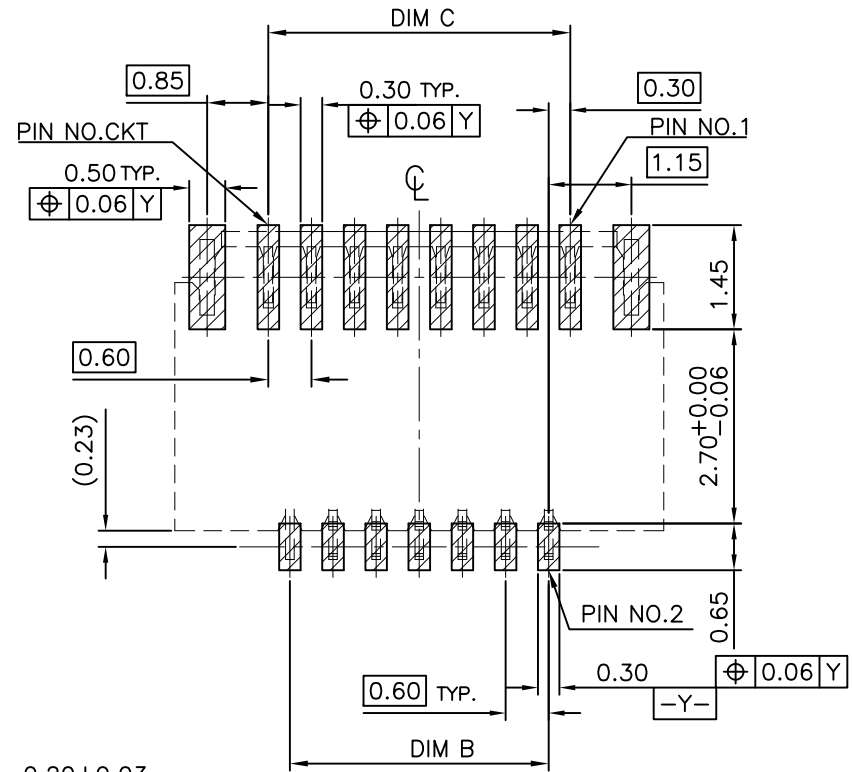
一般公差 TOLERANCES X ±0.5 XX ±0.15 X ±0.25 XXX ±0.1 ANGLES ±2°		宏致電子股份有限公司 Aces Electronic Co.,Ltd.	
檢驗尺寸標示 SYMBOLS (C) (M) INDICATE CLASSIFICATION DIMENSION (C) MARK IS CRITICAL DIM. (M) MARK IS MAJOR DIM.	品名 (TITLE) 0.3 EASY ON FPC CONN. SMT R/A B/C Type (H=1.2) 圖號 (DWG.NO) 50693-XXXXX-XXX	製圖 (DR) 11/08/08 JAMESLEN 審核 (CHKD) RYAN 核准 (APPD) JASON	張數 (SHEET) 1 OF 2 尺寸 (SIZE) A4 版次 (REV) A
表面處理 (FINISH)	比例 (SCALE) 單位 (UNITS) 10:1 mm		



SECTION A-A
SCALE 15:1



APPLICABLE FPC RECOMMENDED DIM
(TOLERANCE: ±0.02mm)



RECOMMENDED P.C.B. LAYOUT
HATCHED AREA SHOWS SOLDERING LAND.

(TOLERANCE: ±0.05mm)

一般公差 TOLERANCES X ±0.5 XX ±0.15 X ±0.25 XXX ±0.1 ANGLES ±2°		宏致電子股份有限公司 Aces Electronic Co.,Ltd.	
檢驗尺寸標示 SYMBOLS (C) (M) INDICATE CLASSIFICATION DIMENSION (C) MARK IS CRITICAL DIM. (M) MARK IS MAJOR DIM.	品名 (TITLE) 0.3 EASY ON FPC CONN. SMT R/A B/C Type (H=1.2) 圖號 (DWG.NO) 50693-XXXXX-XXX	製圖 (DR) 11/08/08 JAMESLEN 審核 (CHKD) RYAN 核准 (APPD) JASON	張數 (SHEET) 2 OF 2 尺寸 (SIZE) A4 版次 (REV) A
表面處理 (FINISH)	比例 (SCALE) 10:1	單位 (UNITS) mm	